



**FOR
ACOUSTIC
LIVING**

DATA SHEET

FeltArt

Acoustic Wall Art

Made from 100% PET-Felt

S

Size: 60 x 60 cm

Weight: 4.0 Kgs / Set of 2
Item: 2 Pcs.

M

Size: 60 x 80 cm

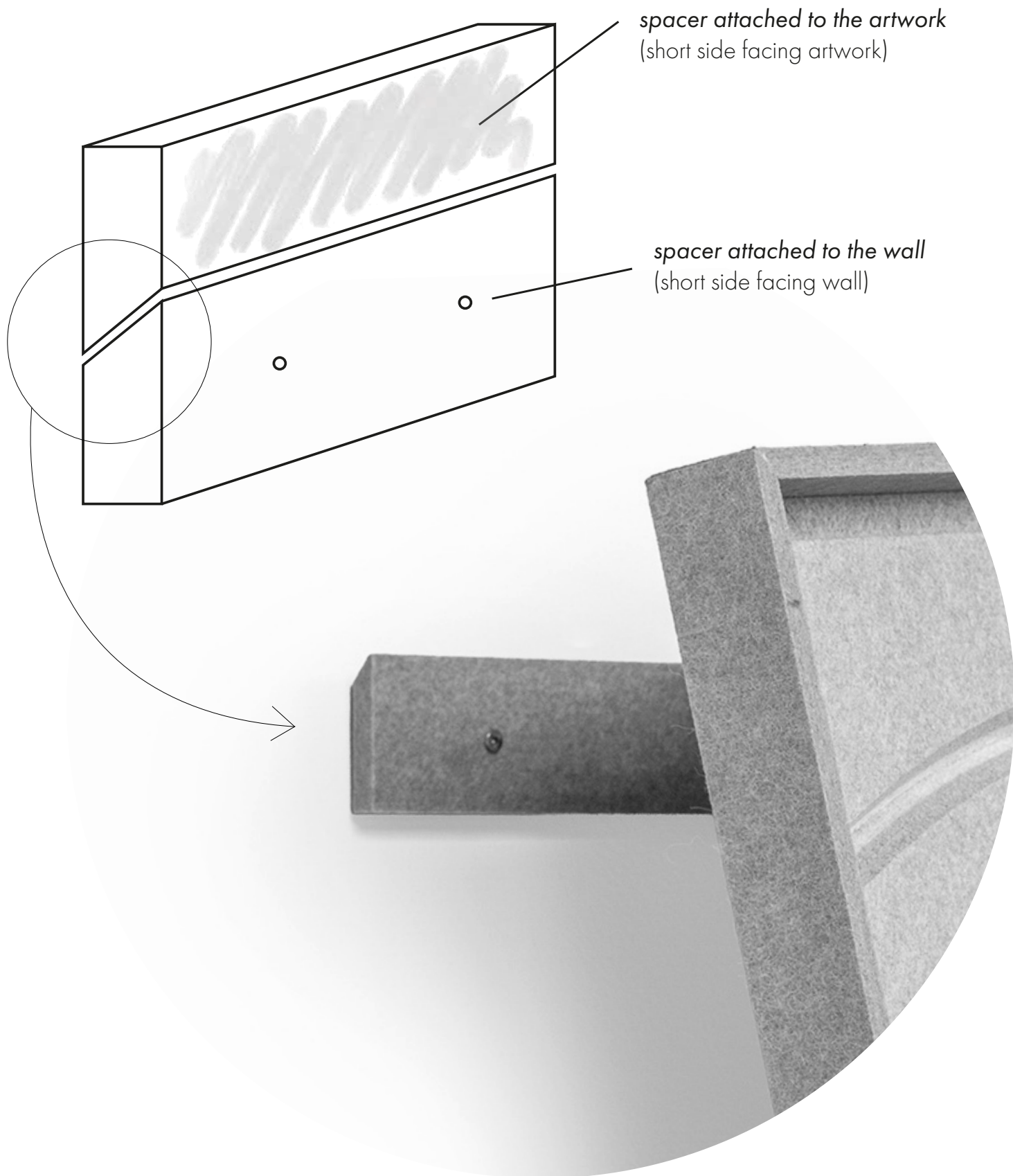
Weight: 5.5 Kgs / Set of 2
Item: 2 Pcs.

L

Size: 70 x 110 cm

Weight: 8.0 Kgs / Set of 2
Item: 2 Pcs.

FeltArt Felt Spacers



FeltArt Mounting Options

4 Standard Options

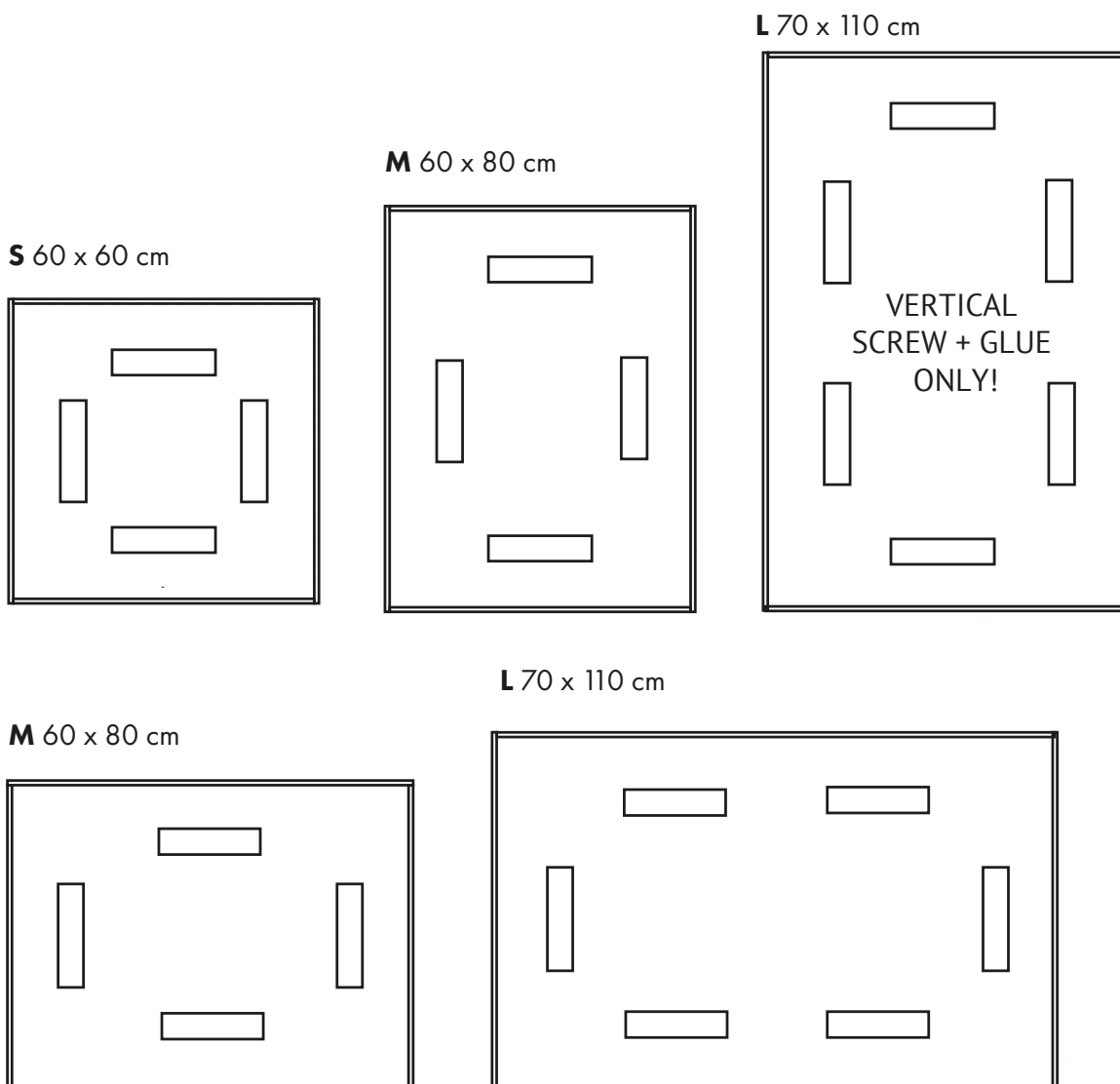
Wall **Artwork**

Tape + Tape

Tape + Glue

Screw + Tape

All 4 options possible for these hanging positions



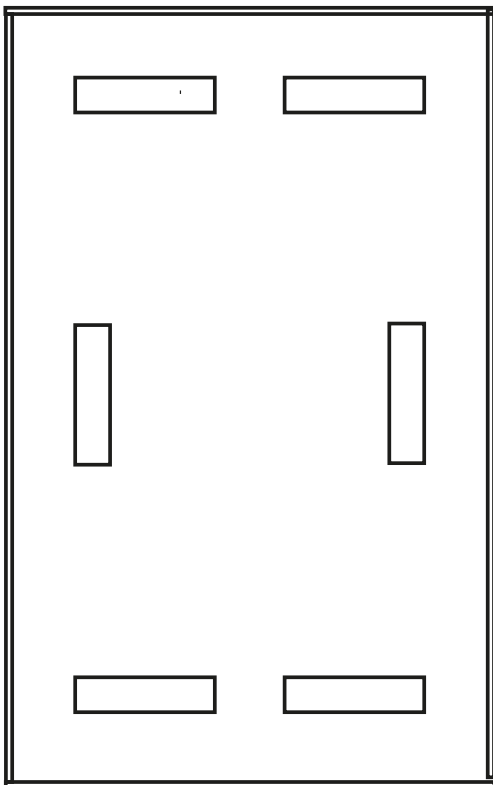
FeltArt Mounting Options

Exception L 70 x 110 cm

Vertical + the following options

Wall		Artwork
Tape	+	Tape
Tape	+	Glue
Screw	+	Tape

L 70 x 110 cm

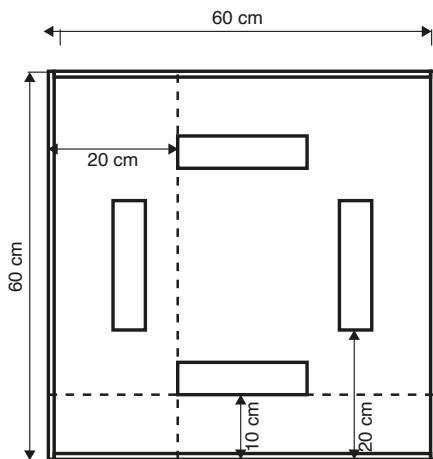


***We highly recommend to screw and glue
the L size Wall Art***

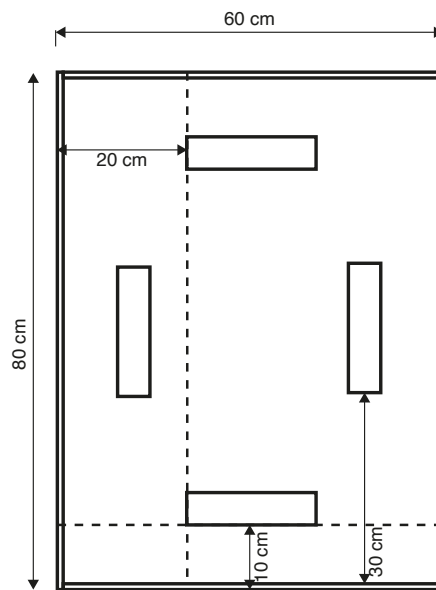
FeltArt

Positioning of the spacers

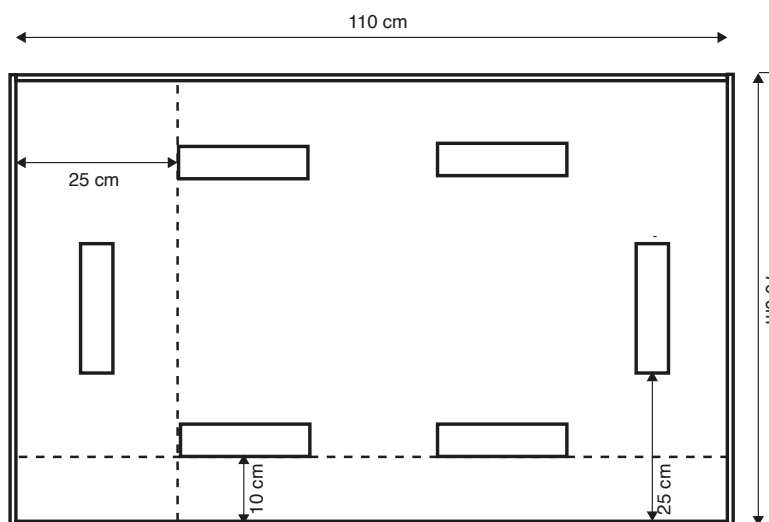
S 70 x 110 cm



M 70 x 110 cm



L 70 x 110 cm



Exception L 70 x 110 cm

